



12-36 Channel DWDM Transponders

DarkStar DQT10 Series

The DQT10 is part of XKL's DarkStar DWDM Transponder family of products and is based on XKL's DarkStar architecture, the foundation for addressing today's IT challenges and scalable growth.

These systems enable customers to soft-configure the aggregate of 1G, 10G, and 100G services, including optical amplifiers for extending network reach, protection solutions, and other optical components that are required for any optical network. Organizations can easily plan for increasing capacity to address bandwidth needs, as well as to meet the demand in the growth of mobile devices, streaming video, and bandwidth intensive applications.

An extension of the DQM10 family of DWDM systems, the DQT10 muxes waves outside of XKL's typical integrated chassis, thereby allowing network growth to 96 channels and augmentation of existing networks via alien wave injection.

The DQT10 systems are field upgradable systems that grow from 120G to 240G or 360G, making them ideal for point-to-point applications, data center interconnect, as well as for those who are unsure about future bandwidth requirements.

DQT10 systems install in under an hour and are available in 1 rack unit (1U) or 2 rack unit (2U) configurations. A typical DQT10 (i.e., 12 DWDM channels) uses 90 watts of power, and has a data propagation latency of 20 nanoseconds (ns)* per system (10G or 100G).

Network administrators can deploy and commission these systems in a fraction of the time it takes to deploy traditional optical transport equipment. Setting up the management network, as well as configuring services, are done in minutes. All the complexities of building an optical network are handled by the DQT10 system, leaving network administrators with confidence in their deployments.

*Test equipment has timestamps with 20ns of resolution.

More about this product...

Integrated System Architecture:

- DWDM Solution
- No layer 2/3 protocol processing, no data buffering. This is both a reliability and security feature; impossible to access transport data through management network.

System Level Features:

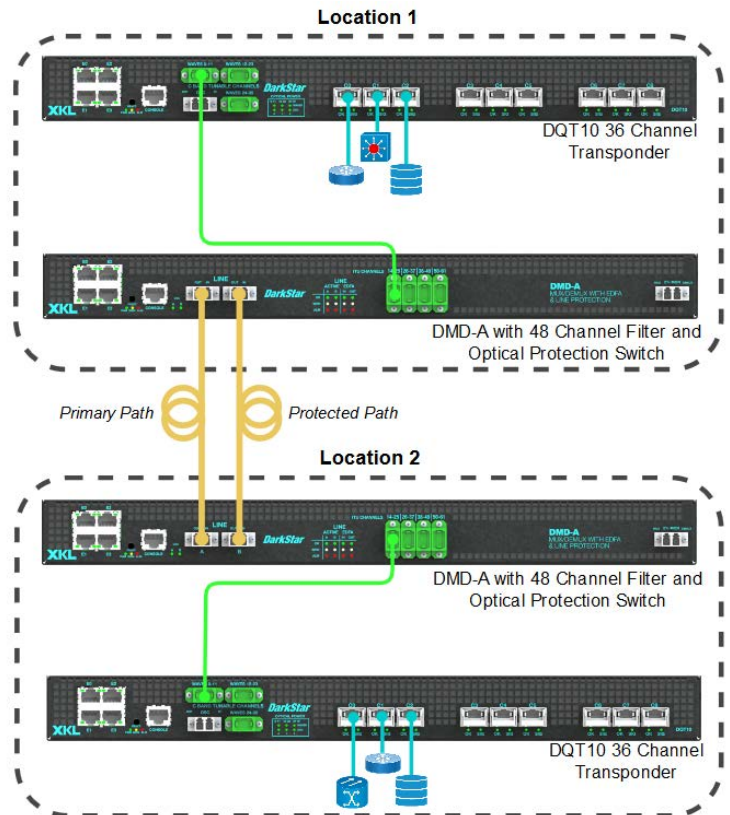
- Hot-swap components:
 - 1+1 redundant power supplies, supports AC and DC
 - Redundant fans
 - Laser transceivers: C-Band Tunable SFP+, QSFP+, and Optical Service Channel (OSC)
- Field-replaceable dual flash storage modules; one is write-protected
- Hitless software upgrades - no customer data loss
- System-wide watchdog timer to ensure software response

Also see "Technical Specifications" on back.



Typical Use Case

12 Channel Protected Point-to-Point with Growth to 48 Channels



Visit: www.xkl.com

Light Your Network

Call: 866.802.2777 (USA toll free)



Supported Topologies

Point-to-Point, Ring, Linear, Mesh, and Protected (using DMD-A)

Capacity/Growth

120G per chassis.; grows in 120G increments up to 360G per chassis

Network Management and Control Plane

Command line interface (CLI):

RS-232 serial console port
TELNET and SSH

Dedicated management network:

4x 10BASE-T/100BASE-TX Ethernet ports
IPv4/IPv6 dual stack
IPv4 forwarding, RIP routing
DHCP boot client, BOOTP relay
DHCP server

Security:

Simple password
Local account database
RADIUS and TACACS+ client
Host-based Access Control Lists (ACLs)

Monitoring:

Network Syslog, Local event log
SNMP versions 1 and 2C
RFC1213-MIB, SNMPv2-MIB, IF-MIB, XKL-MIB

Administration:

SNTP time synchronization client
TFTP file transfer client
Telnet remote command-line client
Reboot and upgrade management operating system without interrupting customer data

Optical Service Channel: TBD

Supported Reach

Links up to 80km, 2000km with DarkStar DLA systems
(0.25dB/km of fiber loss)

Supported Fiber Types

G.652, G.654, G.655 (others supported on demand)

Product Configurations

12 Channel (120G), field upgradeable to 240G or 360G
24 Channel (240G), field upgradeable to 360G
36 Channel (360G)

Optionally includes: various client interfaces, AC/DC power supplies,
1U or 2U chassis

Optical Components/Characteristics

Wavelengths: Tunable ITU Grid Channels: Each DWDM Laser can be tuned to any channel: 14 -61.5.

Wavelengths per System:

12 Channel: 12 wavelengths
24 Channel: 24 wavelengths
36 Channel: 36 wavelengths

Client-side Optics: QSFP+: 40GBase-SR4 (4 x 850nm), 40GBase-PSM4 (4 x 1310nm), 40GBase-LR4 (CWDM: 1271nm, 1291nm, 1311nm, 1331nm)

Line-side Optics: 1528.38nm-1564.27nm with 50GHz spacing

Optical Protection

Optical Protection available via the DMD-A

Services

(All services are soft configurable.)

Ethernet: 1GE, 10GE, 10GE + FEC, 40GE (4 wavelengths), 100GE (10 wavelengths)

SONET: OC48/STM16, OC192/STM64, OC192 + FEC (OTU3)

Fiber Channel: 2G, 4G, 8G, 10G

Client Interfaces

Number of client-side ports per system:

12 Channel: 3 x QSFP+
24 Channel: 6 x QSFP+
36 Channel: 9 x QSFP+

Line Interfaces

Number of line-side ports per system:

12 Channel: 12 x tunable SFP+
24 Channel: 24 x tunable SFP+
36 Channel: 36 x tunable SFP+

Physical Dimensions

IEC 60297-3 Compliant

Height: 1U (1.75"/44.5mm)/2U (3.5"/88.9mm)

Width/Depth:

1U: 16.9"/27.3" (29.5" with cable relief)
429.3mm/693mm (749.3mm with cable relief)
2U: 16.9"/17.5" (19.8" with cable relief)
429.3mm/444.5mm (502.9mm with cable relief)

Weight, minimum: 32lbs/14.5kg

Power and Cooling

Power input AC: 90-264V AC, 50/60Hz

Power input DC: -40 to -75V DC
(1+1 redundant AC or DC, or both)

Power consumption, typical:

12 channel: 90W
24 channel: 140W
36 channel: 190W

Environmental

Operating temperature: 0 to 50°C

Storage temperature: -40 to 70°C

MTBF: 87,600 hours

Non-operating (Shock and Vibration): ISTA-2A, IEC60068-2-6,
60068-2-64, 60068-2-27

Laser Safety Classification

Class 1

Regulatory Compliance

UL: IEC 60950-1(ed.1), IEC 60825-1:2007 (2nd Edition)

FCC: Conducted and Radiated Emissions, Part 15 Subpart B
Sections 15.107 and 15.109 Class A

CE: EN55024 (1998 w/A1: 01 & A2: 03, EN61000-3-2 (2006),
EN61000-3-3 (1995 w/A1:01 & A2:06), EN55022 (2006) Class A &
CISPR 22 (2005) Class A