



DarkStar® DMD-P Family

Mux/Demux



Technical Specifications

Physical Dimensions

Height: 1RU
Width/Depth: 16.9"/12.5"
Weight, minimum: 10lbs

Power Requirements

No power requirements

Environmental

No cooling required.

Topology Compatibility

Point-to-point
Linear add/drop
Ring

Architecture/Chassis

Integrated Systems Architecture

DMD-P (single)

One 48 or 96 channel filter
One 4-band or 6-band filter

DMD-P (dual)

Two 48 or 96 channel filters
Two 4-band or 6-band filters

Optical Features

Optical loss:
6.5dB - 96 channel mux or demux
5.0dB - 48 channel mux or demux
0.5dB - Optical Service Channel (OSC)
OSC passband: 1503.5nm-1516.5nm
Line monitoring port, 2% tap

Supported Wavelengths

96 channel filter:
ITU channels 14 - 61.5, 1566.31nm - 1528.38nm
50GHz channel spacing
48 channel filter:
ITU channels 14 - 61, 1566.31nm - 1528.77nm
100GHz channel spacing

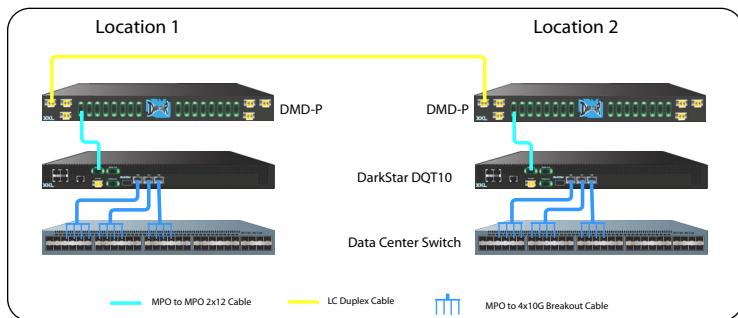
4-band filter

192.45 THz ± 463.75 GHz
193.45 THz ± 463.75 GHz
194.45 THz ± 463.75 GHz
195.45 THz ± 463.75 GHz

6-band filter

191.45 THz ± 463.75 GHz
192.45 THz ± 463.75 GHz
193.45 THz ± 463.75 GHz
194.45 THz ± 463.75 GHz
195.45 THz ± 463.75 GHz
196.45 THz ± 463.75 GHz

Point to Point Topology



Ring Topology

